

SWING FLOOD BARRIERS

The Swing Flood Barrier is an outward opening hinged floodgate designed to provide effective isolation of floodwaters up to the height of the gate.

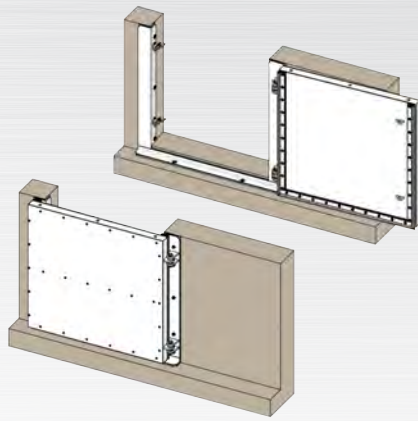
FEATURES & BENEFITS

- Swing Barriers are manufactured from marine grade aluminium.
- A manual locking mechanism(s) sures the gate in the closed position.
- Seals are manufactured from UV stabilised plasticised PVC.
- Seal frames are manufactured from aluminium or stainless steel and are designed for face mount installation onto the wall of a building, levee or other structure.
- Swing Barriers can be supplied as either right or left hand hinged.
- Swing flood barriers are supplied with a mill finish as standard.
- Optional coating of AWMA Swing Barriers is available in any colour to integrate with the surrounding building or structure.
- Full perimeter sealing available.
- Locking mechanisms may be custom latches or handle assemblies.



APPLICATIONS

- Pedestrian access.
- Basement entry.
- Utility Boxes.
- Doorways.
- Liftwells.
- Bunds / Levees.
- Access hatches.



SWING FLOOD BARRIERS

DESIGN

DESIGN SUPPORT

- AWMA's R&D and Engineering teams are available under Early Contractor Involvement (ECI), to assist in developing flood barrier solutions for bespoke green-field and brown-field sites.

SIZES

- Customisable to suit specific site requirements.

MATERIALS

- AWMA select materials to meet a minimum design life of 25 years. Where required, AWMA can offer higher grade materials, coatings and protection systems to extend the design life to 100+ years.
- Marine grade aluminium, stainless steel.
- Materials used in the construction of AWMA's Flood Free range have a high corrosion resistance and can be operated for many years with minimal maintenance.

MAINTENANCE

- The AWMA Flood Gate range has a minimum 25 year design life.
- Minimal maintenance is required ensuring low 'whole of life costs'.

MANUFACTURE

QUALITY

- All AWMA products meet relevant Australian and international standards.
- AWMA hold international accreditations for ISO 9001; Quality, ISO 14001; Environment and ISO 45001 OH&S management.
- AWMA's Integrated Management System aims to provide a framework to deliver products and services that consistently exceed customer expectations.

INSTALLATION

MOUNTING OPTIONS

- Barriers are designed to retrofit existing infrastructure or 'green field sites', they are also suitable for 'brown field sites'.
- AWMA offer install supervision for all turn-key installations.

DEPLOYMENT

- The Swing Barrier is manually operated.

COMMISSIONING

DOCUMENTATION AND TRAINING

- Detailed documentation on operation, testing procedures and maintenance will be provided with all AWMA flood defence systems.
- Comprehensive on and/or off site training available.

